

A

B

C

D

REVISIONS			
REV.	DATE	DESCRIPTION	APPV'D
A	1/11/05	ADDED ADDITIONAL BYPASS CAPS	

1

2

3

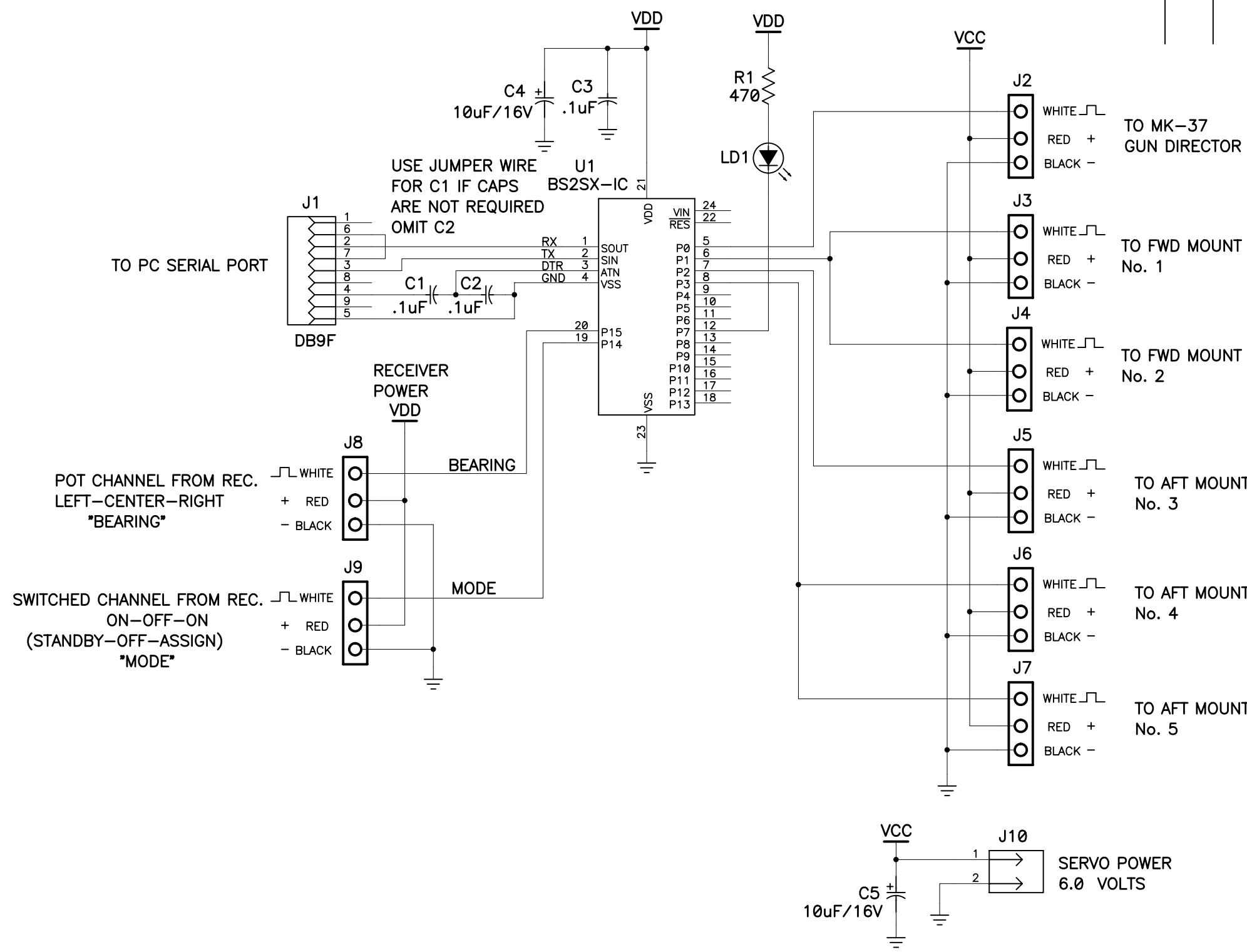
4

1

2

3

4



Title GUN FIRE CONTROL SYSTEM		
Size B	Number 891-GFCS	Rev A
Date JAN. 10, 2005	Drawn by MIKE B.	
Filename GFCS 1.SCH	Sheet 1 of 1	

A

B

C

D